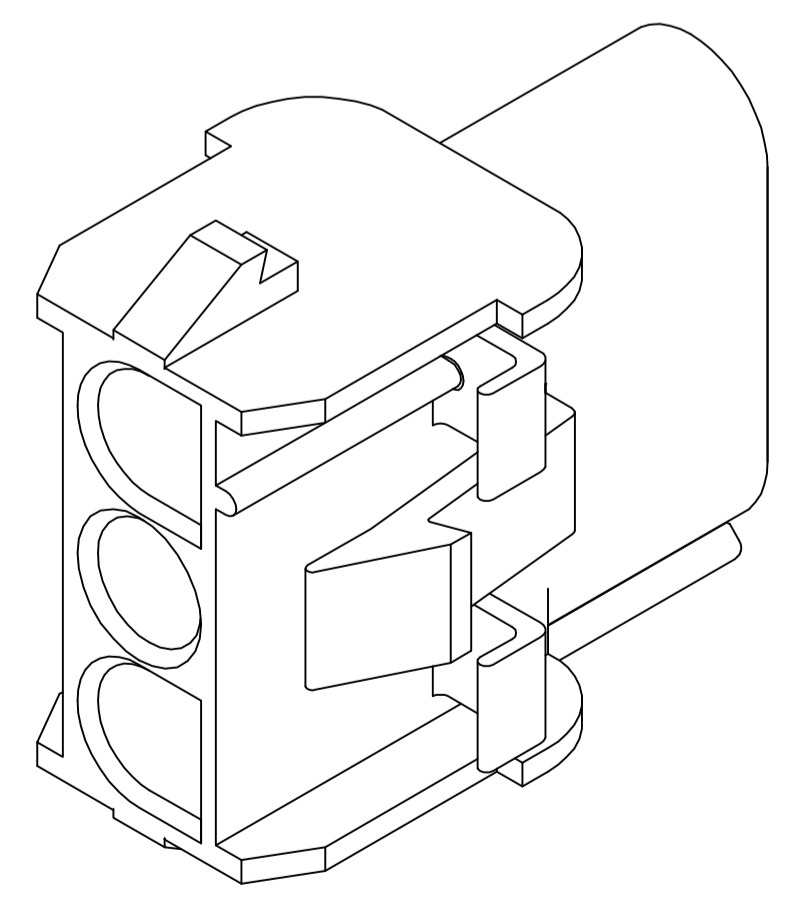
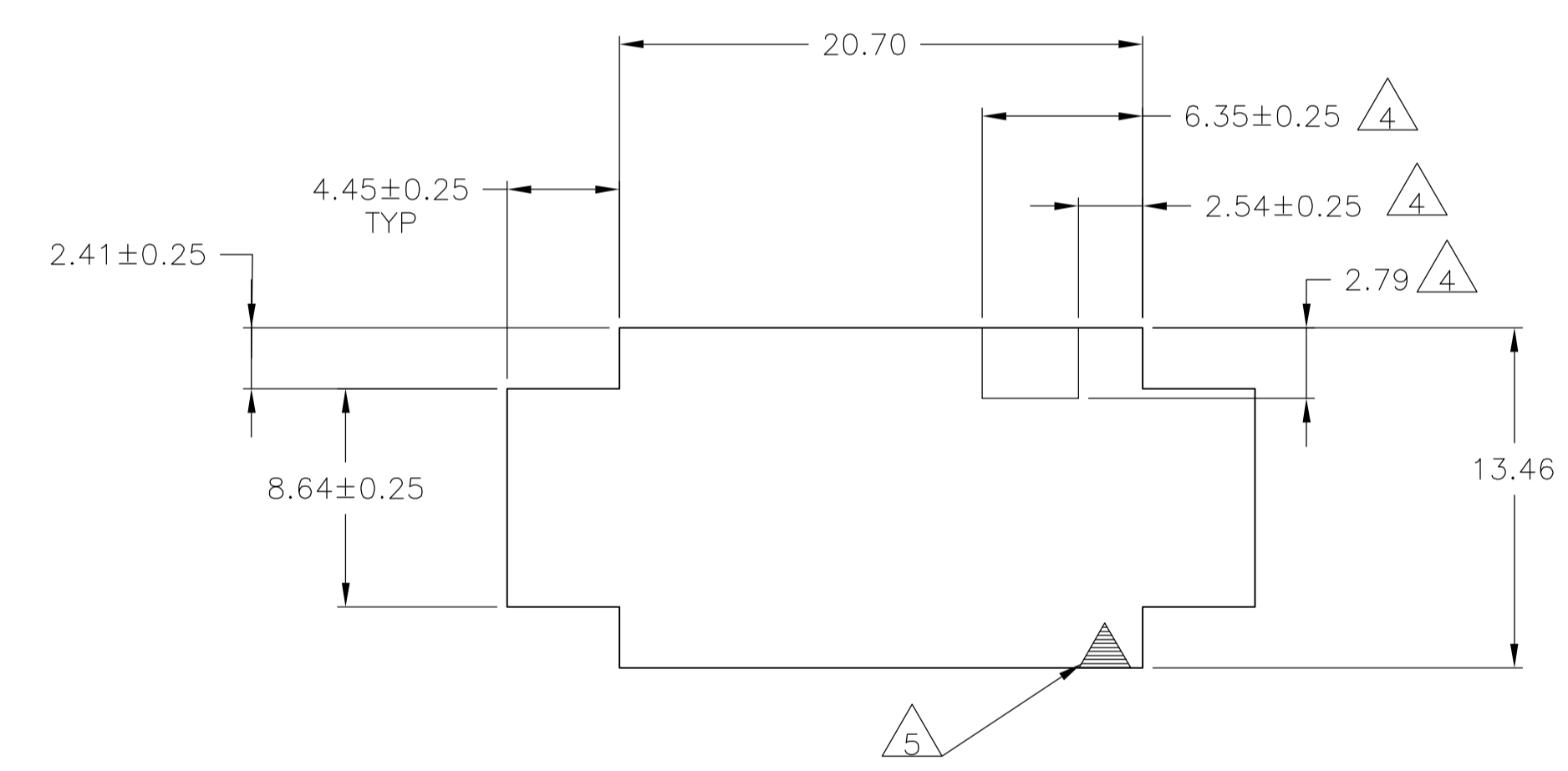
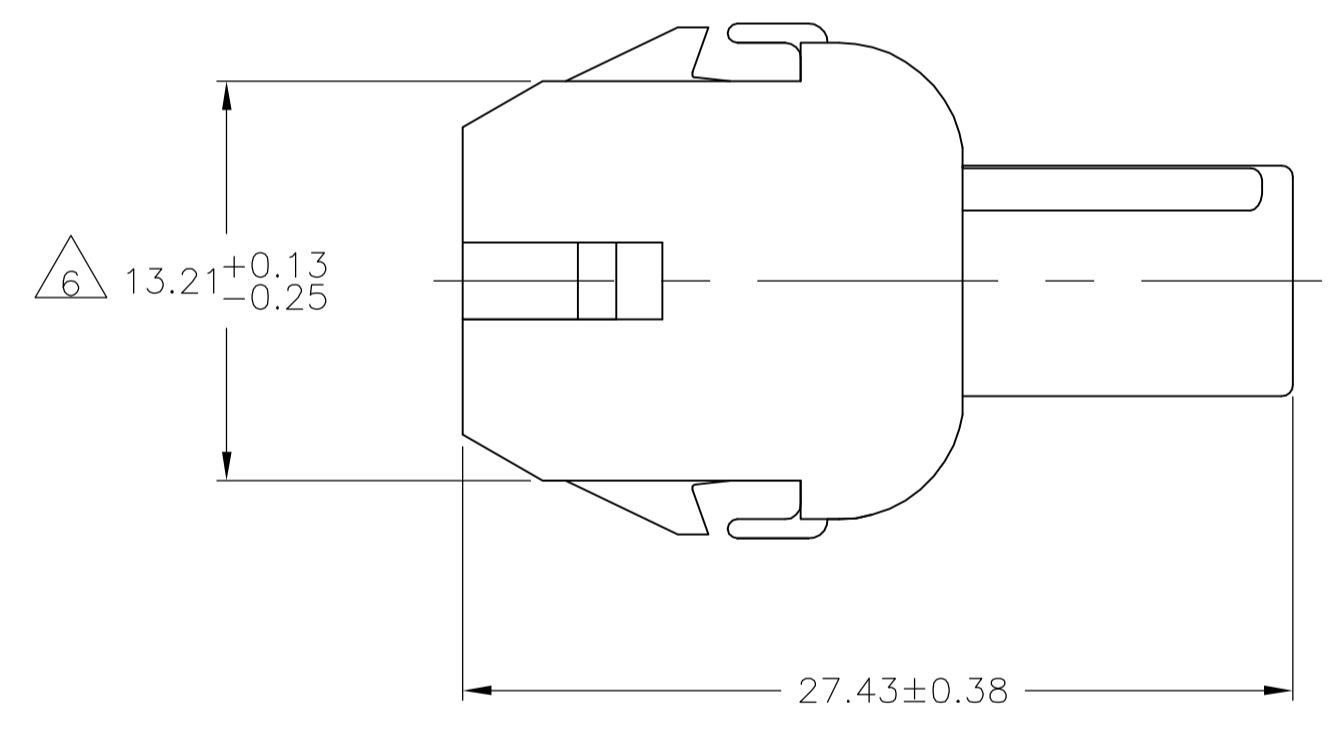
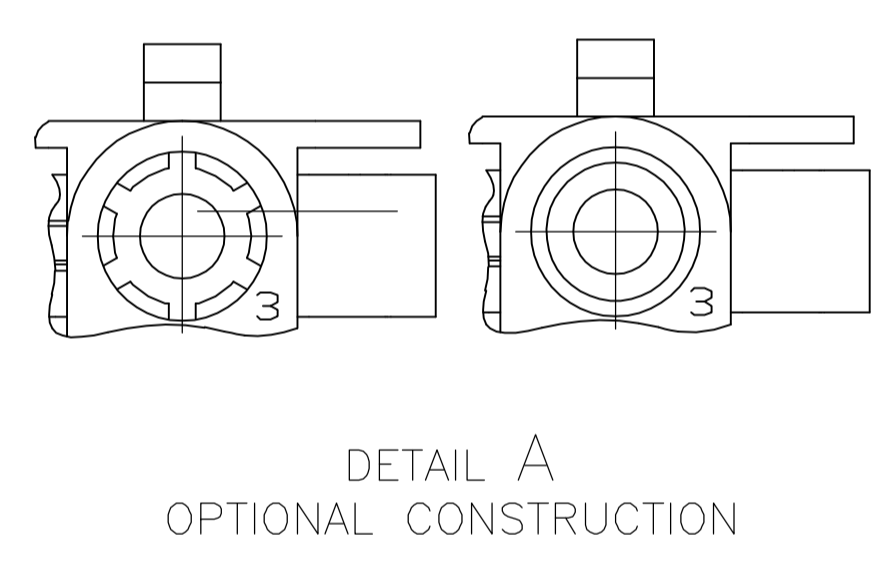


1. MATES WITH APPROPRIATE UNIVERSAL MATE-N-LOK™ PLUG.
2. RECOMMENDED PANEL THICKNESS 0.76 - 2.29.
3. PANEL MUST BE PUNCHED SO THAT THE HOUSING ENTERS THE PANEL IN THE SAME DIRECTION AS THE PUNCH.
4. OPTIONAL FOR KEYING HOUSING IN PANEL.
5. CIRCUIT NUMBER 1 LOCATION.
6. DIMENSION INDICATED IS AS MOLDED. ADDITIONAL GROWTH DUE TO SUBSEQUENT MOISTURE ABSORPTION MAY OCCUR.
7. FOUR RIBS EQUALLY SPACED, NO SPECIFIC ORIENTATION. NO RIBS OR SIX RIBS EQUALLY SPACED, NO SPECIFIC ORIENTATION, OPTIONAL.
8. FOR FOREIGN PRODUCTION ONLY.
9. UNDERWRITERS RECOGNIZED COMPONENT LOGO AND CSA CERTIFICATION LOGO TO BE LOCATED ONCE EACH ON SIDE OF HOUSING.



4.45	.175	27.43	1.080
2.79	.110	20.70	.815
2.54	.100	20.32	.800
2.41	.095	13.46	.530
2.29	.090	13.21	.520
0.76	.030	8.64	.340
0.38	.015	8.13	.320
0.25	.010	7.62	.300
0.13	.005	6.35	.250
MM	IN	MM	IN

CONVERSION TABLE

BLACK	1-350767-9
GRAY	1-350767-8
BLUE	1-350767-6
GREEN	1-350767-5
YELLOW	1-350767-4
ORANGE	1-350767-3
RED	1-350767-2
BROWN	1-350767-1
△	350767-2
NATURAL	350767-1
COLOR	PART NUMBER

METRIC

THIS DRAWING IS A CONTROLLED DOCUMENT.

DIMENSIONS:	TOLERANCES UNLESS OTHERWISE SPECIFIED:	DWG: K. WHITAKER 20JUL92	CHK: R. SWING 20JUL92	APPROVED: D. SELF 21JUL92	NAME: Tyco Electronics Corporation Harrisburg, PA 17105-3608
mm	0.13 ± -	PRODUCT SPEC	APPLICATION SPEC	SIZE: A1	CAGE CODE: 00779
SEE TABLE	FINISH: -	WEIGHT: -	CUSTOMER DRAWING	SCALE: 4:1	SHEET: 1 OF 1

RESTRICTED TO: -

REV: Y1